

## 2.5A, 2.7-12.0V Dual H-Bridge Motor Driver

### Description

The SA8328 is a bipolar stepper-motor driver with dual, built-in full-bridges consisting of N channel power MOSFETs.

It operates from a supply voltage range of 2.7V to 12V and can deliver motor current up to 2.5A and peak current up to 4.0A per channel. The internal safety features include overcurrent protection, short-circuit protection, under-voltage lockout and thermal shutdown.

The SA8328 is available in 4mmx4mm QFN package with an exposed thermal pad on the back.

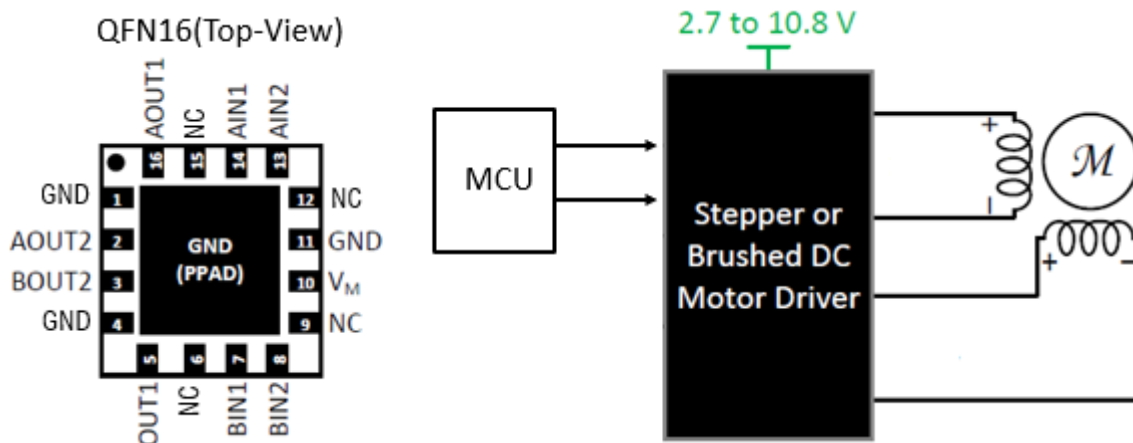
### Features

- Wide 2.7-12V Input Voltage Range
- Two Internal Full-Bridge Drivers
- Low  $R_{DS(ON)}$  (HS+LS: 280m $\Omega$ )
- Continuous current up to 2.5A
- Peak current up to 4.0A
- Low Quiescent Current
- Low Sleep Current
- Thermal Shutdown
- Under-Voltage Lockout Protection
- Over Current Protection
- QFN16 Package

### Applications

- Video Security Camera
- Digital Still Cameras
- Battery Powered Toy

## SA8328 Package & Simplified Application

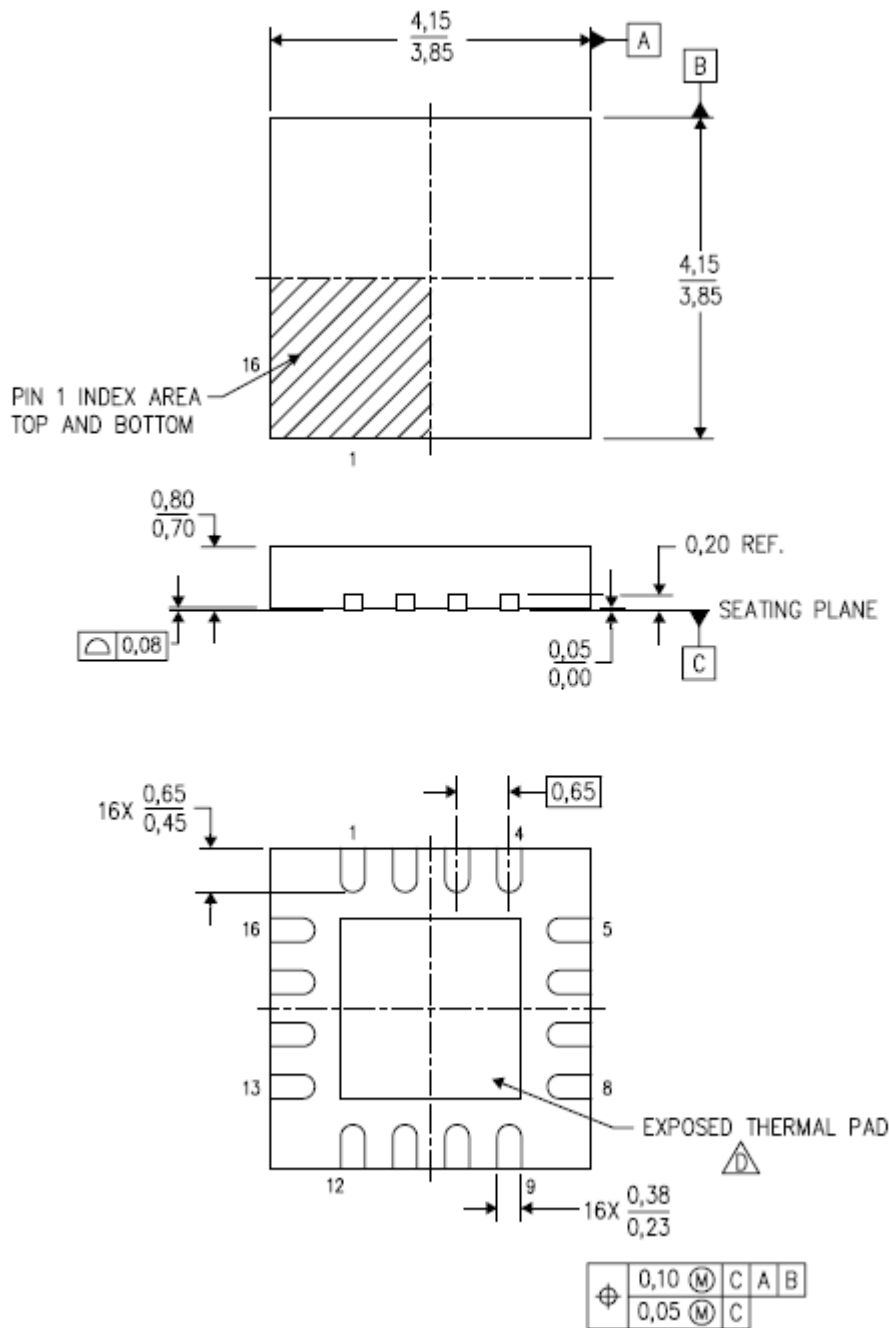


### Device Information

Part No.	Package	Quantity	Operation Temp.
SA8328	QFN4X4-16	5000	-40~85 °C

## 2.5A, 2.7-12.0V Dual H-Bridge Motor Driver

### Package QFN4X4-16



## 2.5A, 2.7-12.0V Dual H-Bridge Motor Driver

### **IMPORTANT NOTICE**

Syta Technology Corporation (Sytatek) reserves the right to make corrections, modifications, enhancements, improvements, and other changes to its products and to discontinue any product without notice at any time.

Sytatek cannot assume responsibility for use of any circuitry other than circuitry entirely embodied in a Sytatek product. No circuit patent licenses are implied.