

6.0A, 2.5-10.0V H-Bridge Driver

Description

The SA8326 is one channel H-Bridge driver IC, it provides integrated motor-driver solution for toys, robotics, consumer products and other low voltage or battery-powered motion control applications.

The SA8326 maximum operational voltage is 10.0V. It can supply up to 6.0A of output continuous current and 13.0A of output peak current. There is internal shutdown function for over-temperature protection and over-current protection (IOCP = 13.0 A).

Package material is Pb-Free Product & RoHS compliant for the purpose of environmental protection and for sustainable development of the earth.

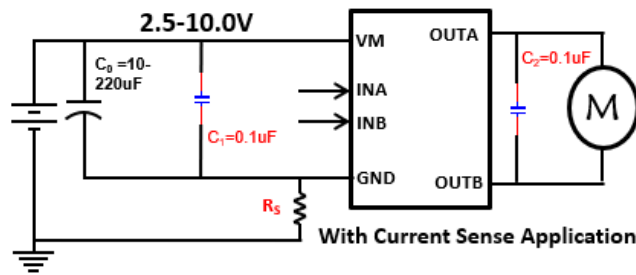
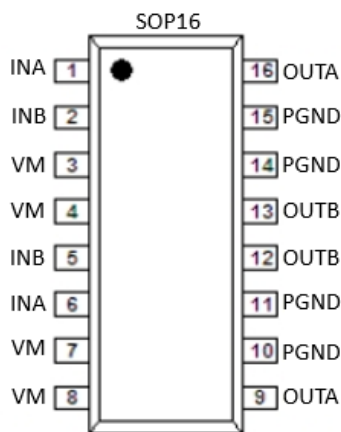
Features

- Operation voltages up to 10.0V
- Continuous current output up to 6.0A
- $R_{DS(on)}$: 60m Ω (HS+LS)
- Support PWM control
- Over current protection
- Over temperature protection
- UVLO protection
- Low standby current
- Low quiescent current
- SOP16 package

Application

- Robotics (R/C servo, Sweeping robot)
- Toys (R/C car, R/C aircraft)
- Any relevant DC motor applications.

SA8326 Package & Simplified Application

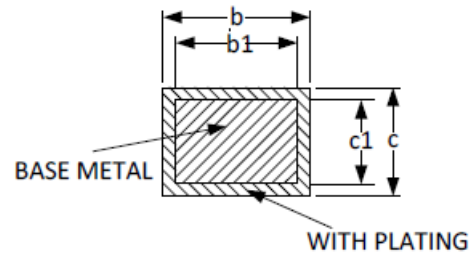
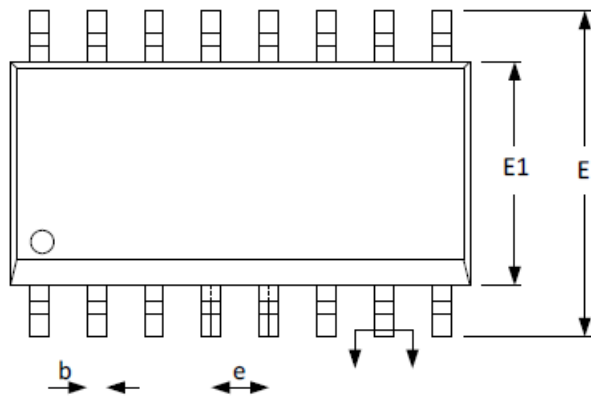
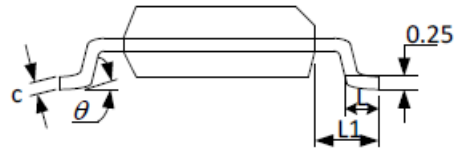
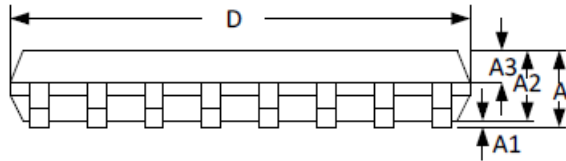


Device Information

Part No.	Package	Quantity	Operation Temp.
SA8326	SOP16	4000	-40~85 °C

6.0A, 2.5-10.0V H-Bridge Driver

Package SOP16



SYMBOL	MILLMETER		
	MIN	NOM	MAX
A	-	-	1.77
A1	0.08	0.18	0.28
A2	1.20	1.40	1.60
A3	0.55	0.65	0.75
b	0.39	-	0.48
b1	0.38	0.41	0.43
c	0.21	-	0.26
c1	0.19	0.20	0.21
D	9.70	9.90	10.10
E	5.80	6.00	6.20
E1	3.70	3.90	4.10
e	1.27BSC		
L	0.5	0.65	0.80
L1	1.05BSC		
θ	0°	-	8°

6.0A, 2.5-10.0V H-Bridge Driver

IMPORTANT NOTICE

Syta Technology Corporation (Sytatek) reserves the right to make corrections, modifications, enhancements, improvements, and other changes to its products and to discontinue any product without notice at any time.

Sytatek cannot assume responsibility for use of any circuitry other than circuitry entirely embodied in a Sytatek product. No circuit patent licenses are implied.