

60V High Side & Low Side Gate Drive IC

Description

The SA2105 is a high voltage, high speed power MOSFET driver with independent high and low side referenced output channels based on P_SUB P_EPI process. The floating channel can be used to drive an N-channel power MOSFET in the high side configuration which operates up to 60V. Logic inputs are compatible with standard CMOS or LS TTL output, down to 3.3V logic.

The SA2105 output drivers feature a high pulse current buffer stage designed for minimum driver cross-conduction. Propagation delays are matched to simplify use in high frequency applications.

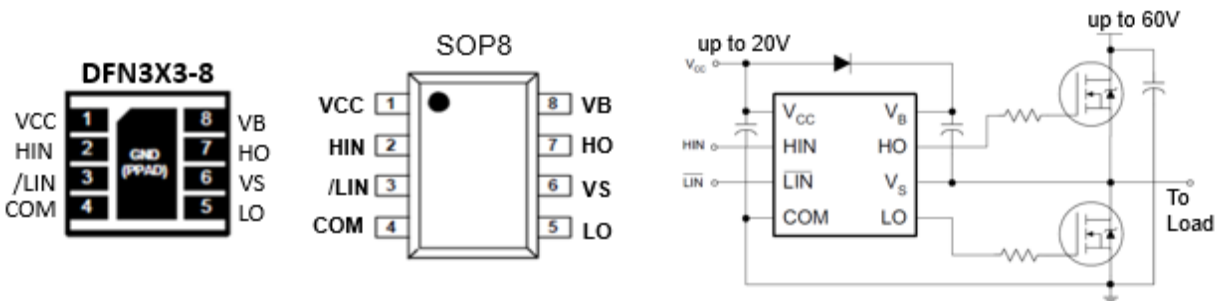
Features

- Fully operational to 60V
- 3.3/5.0V input logic compatible
- VCC range from 5V to 20V
- 1.5A/1.0A(typ.) current capability
- Deadtime 200ns (typ.)
- Matched propagation delay
- SOP8 package available
- DFN3X3-8 package available

Application

- Power motor driver
- Half-Bridge Power Converters
- Full-Bridge Power Converters

SA2105 Package & Simplified Application

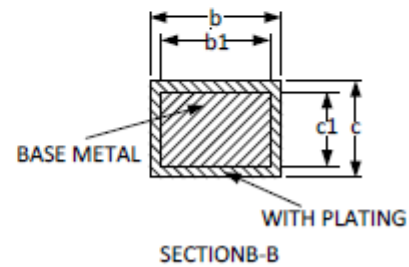
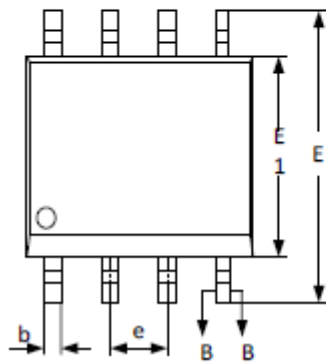
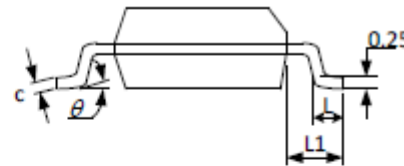
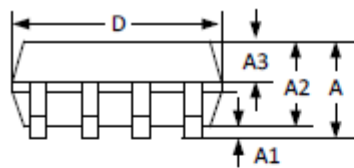


Order Information

Part No.	Package	Quantity	Operation Temp.
SA2105	SOP8	4000	-40~125 °C
SA2105	DFN3X3-8	3000	-40~125 °C

60V High Side & Low Side Gate Drive IC

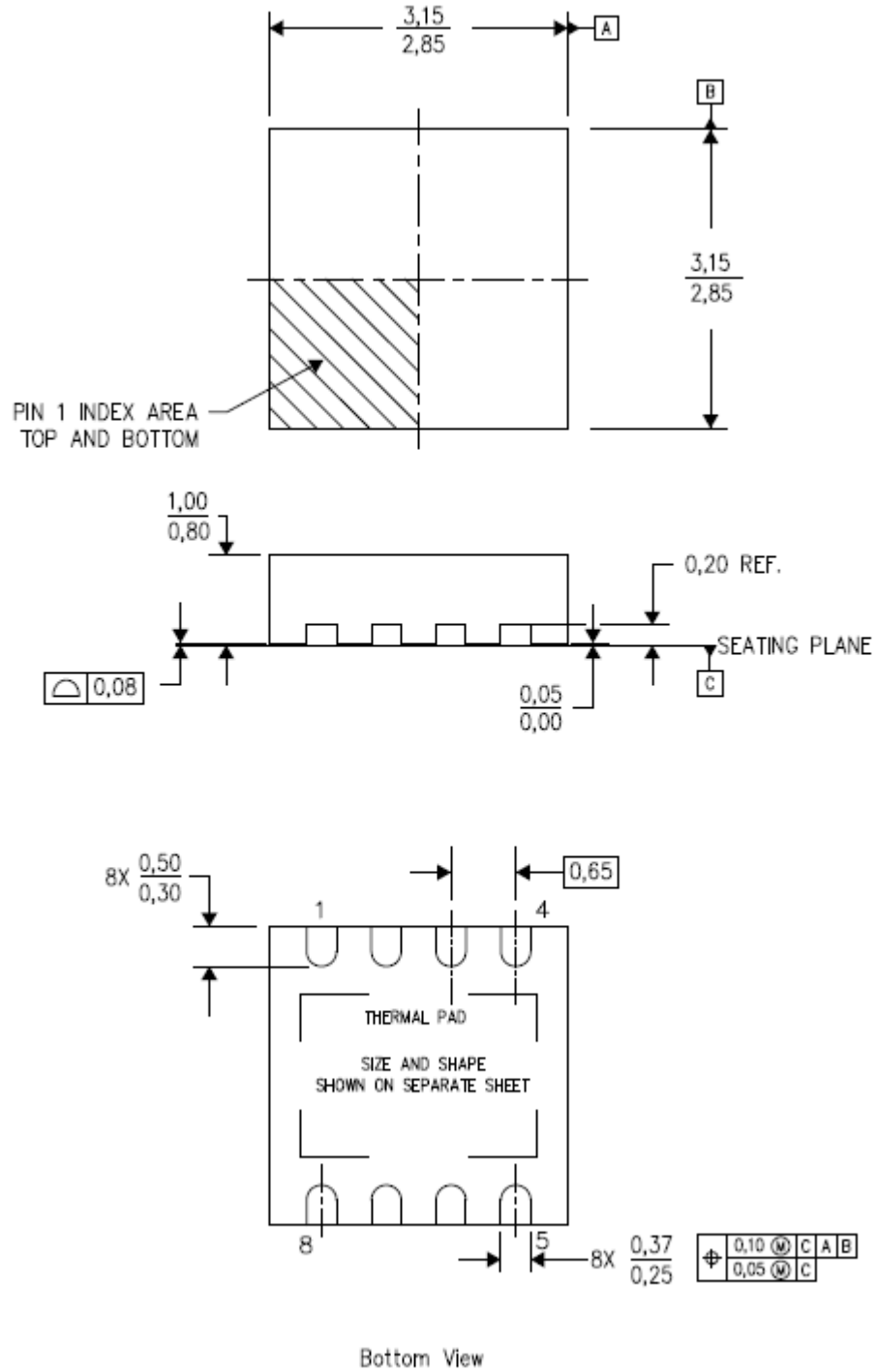
Package SOP8



SYMBOL	MILLIMETER		
	MIN	NOM	MAX
A	--	--	1.77
A1	0.08	0.18	0.28
A2	1.20	1.40	1.60
A3	0.55	0.65	0.75
b	0.39	--	0.48
b1	0.38	0.41	0.43
c	0.21	--	0.26
c1	0.19	0.20	0.21
D	4.70	4.90	5.10
E	5.80	6.00	6.20
E1	3.70	3.90	4.10
e	1.27BSC		
L	0.50	0.65	0.80
L1	1.05BSC		
θ	0	--	8°

60V High Side & Low Side Gate Drive IC

DFN3X3



60V High Side & Low Side Gate Drive IC

IMPORTANT NOTICE

Syta Technology Corporation (Sytatek) reserves the right to make corrections, modifications, enhancements, improvements, and other changes to its products and to discontinue any product without notice at any time.

Sytatek cannot assume responsibility for use of any circuitry other than circuitry entirely embodied in a Sytatek product. No circuit patent licenses are implied.